

Slip Ring for Electro-Optical Systems

Miniature slip ring which offers a compact solution to transmit signals up to 500 MHz

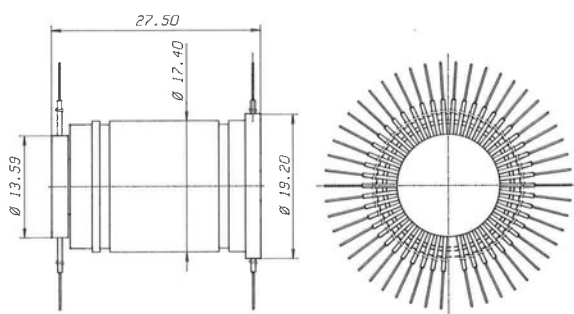


Benefits

- Compact design with a very high density of tracks
- 0.37 mm of center to center adjacent ring spacing can be achieved
- Capable to handle signals up to 500 MHz
- Gold on Gold contact for reliable high quality signal and data integrity
- Adaptable for ground, naval and airborne applications

Key Features

- High speed communication protocols (Gigabit Ethernet, HD SDI, Rocket I/O, SVDI, RS-422, etc)
- Naval, airborne and ground applications
- Mil-Std compliant
- Designed to minimize micro interruptions
- High reliability at extreme conditions



Technical Data

Number of rings	49
1 ring	2.8 A, 115 V
5 rings	1.5 A, 115 V
43 rings	600 mA, 30 V
Weight	19.9 g
Operating speed	0-500 rpm
Max. ambient temperature	95 °C

Application

UAV development has increased the relevancy of Electro-optical systems on area surveillance and lately on selective targeting. New HD imaging and target acquisition systems require the transmission of high speed data from the sensors to the non-rotary parts without any loss of information.

RUAG Space slip rings offer high quality slip rings designed to work in most difficult environments while maintaining the integrity of the transferred data.

Typical electrical performance

