

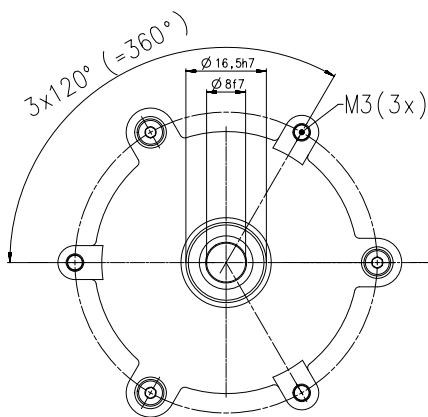
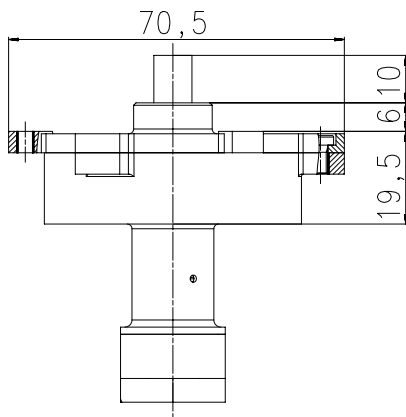
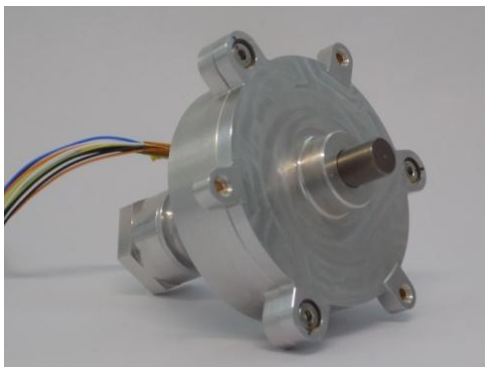
RUAG LIP400

Light Interface Pinpuller (400N)

RUAG's Pinpuller features with its L³-design (low mass , low shock and light interface), 400N lateral load, a pull force of 200N at only 24W heater power consumption and 150g mass.

The RUAG Pinpuller utilizes high lateral preloads (up to 400N) with reliable release activation. Using a short activation time, it is able to support hold down and release mechanisms (HDRM) to deploy small to medium sized structures. A short lead time Pin puller, that combines the three L's, low shock, low mass and light interface was developed by RUAG Space Germany together with the German Aerospace Center (DLR).

This Pinpuller is an easy to reset and fully European product and thus no ITAR regulations are applying to it. Equipped with a full redundant heater and temperature sensor arrangement the RUAG Pinpuller is available in two possible heater and sensor configurations.



Performance

Mechanical Properties

Mass [kg]	0,15 kg
Lateral Load (Actuation)	≥ 400 N
Lateral Load (Pre-Actuation)	70g 500N
	20g 1250N
Pull Force	≥ 200 N
Pull stroke	≥ 10 mm
Activation time	120 s
Storage life	10 a
Separation time	25 ± 5 msec
Operational temperature range	-70°C / +80°C
Non-operational temperature range	-100°C / +100°C
Electrical Properties	
Heater power consumption	Max. 24 W
Life	≥ 50 Cycles
Reusable	Reset at RT
Envelope (Ø x L)	62 x 63 mm ²

